

Switches and Accessories JKH Foot Throttle



USES

Foot speed control for electric vehicles, electric tricycles, trucks, recreational vehicles, classic cars, brick cars, solar boats

| <u>JKH</u> | <u>-0</u> | <u>0</u> | <u>3</u> | <u>-A</u> | <u>-65</u> |
|------------|--|----------|----------|-----------|------------|
| 1 | 2 | 3 | 4 | 5 | 6 |
| 1 | Product type: Hall pedal accelerator | | | | |
| 2 | Hall input voltage 0:0-5v; 1:12V; 2:24V; 3:36V; 4:48V; 6:60V; 7:72V; 8:84V; 9:96V | | | | |
| 3 | output voltage 0: 0-5V; 1: 0.8-4.2V; 4: 4.2-0.8V; 5: 5-0V; 6: 0-10V | | | | |
| 4 | Total number of conductors: 2; 3; 4; 5; 6; 7 | | | | |
| 5 | Plug type 2.8p: 2.8 insert (C, D); 2.8h: 2.8 snap spring; 6.3p: 6.3 insert (P); 6.3h: 63 snap spring (A) | | | | |
| 6 | Wire length (CM) | | | | |

USE OF THE ENVIRONMENT

| | |
|--------------------------------|------------------------------|
| Ambient temperature | -30~+85℃ |
| Relative humidity | +20℃ 98% |
| the vibration frequency of the | 3G, 1 ~ 50Hz 0.5mm amplitude |
| Altitude | 2000m |
| Installation direction | Random |
| International protection | IP68 |

ORDER INSTRUCTION

| | |
|--------------|--------|
| U.N.W. | 1000g |
| Package QTY. | 40 PCS |

ORDER FORM DESCRIPTION

Please specify the following information when placing an order: name, complete model, and quantity ordered. For example: JT2-D 0.8-4.2V 100 pieces. Special output voltage specification products can be ordered by users if needed.

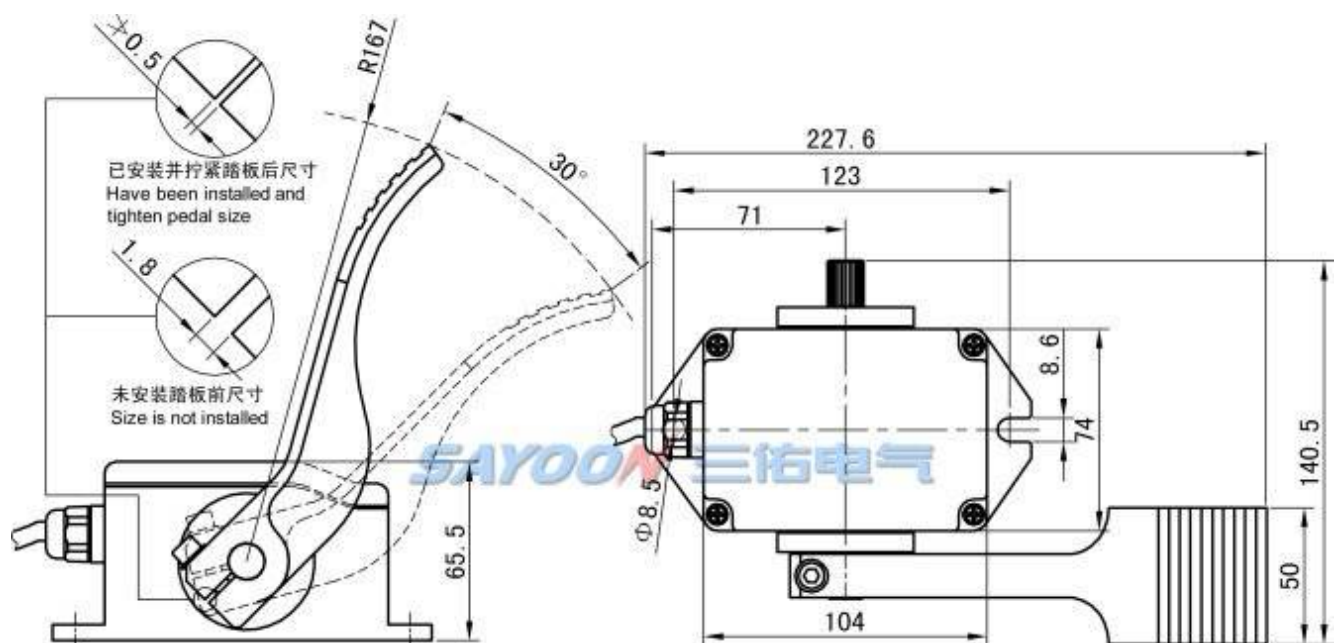
TECHNICAL PARAMETERS

(Version 2.56)

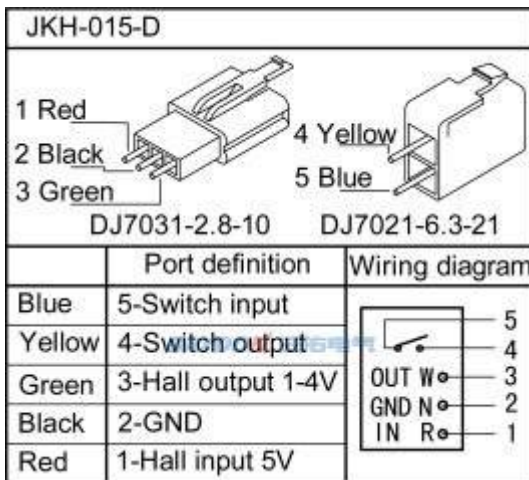
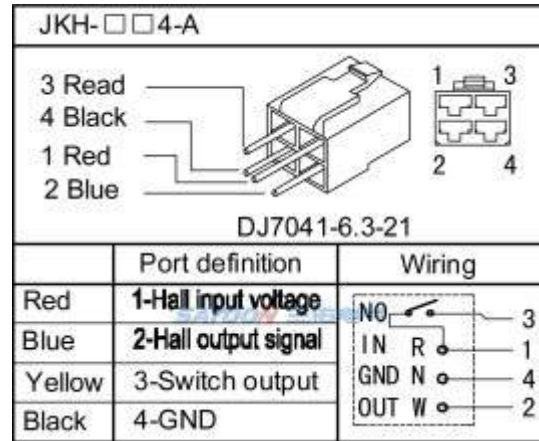
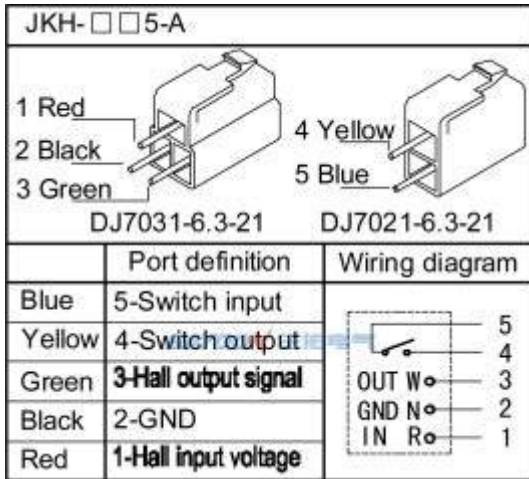
| SAYOON Product Type | JKH |
|--|--|
| Input voltage | 5V,10V,12V,24V,36V-84V,96V, Any voltage |
| Output | 0.8-4.2v;0-5V;5-0V;4.2V-0.8V;0-10V;10-0V |
| Output rated load current | 10mA |
| Output type | Voltage |
| Wire length | 650 mm |
| Pedal rotation angle | 30 degrees |
| Micro Switch resistive load current | 2A |
| Micro Switch Inductive load current | 1A |
| Accelerate the operating voltage of the switch | 0-96V |
| Pedal position | Vertical or suspension |
| Installation form | Vertical or suspension |
| Testing organization certification | CE |

Note: The main components of this product use Hall sensors and strong magnets, and interference caused by environmental electromagnetic waves and temperature should be avoided as much as possible during use. If used as signal sampling, it should be filtered before use. Please refer to the Hall parameters for the tolerance of the product output. If there are any selection issues, please

INSTALLATION DIAGRAM



WIRING DIAGRAM



FEATURES

Pedal accelerator pedal device is through one of the most important components of motor controller management operation, its quality determines the user driving reliability and comfort. The company accelerator has the following characteristics:1 Mechanical and electronic signal, logic signal, to prevent runaway.2 double torsion spring design, reasonable structure, prevent speed, high safety.3 waterproof and anti vibration, suitable for a variety of vehicle environment.4 imported sensitive components, the temperature drift is small, the work is stable.5 non contact type induction work, no wear, long life.6 the output curve is reasonable, the vehicle control freely.