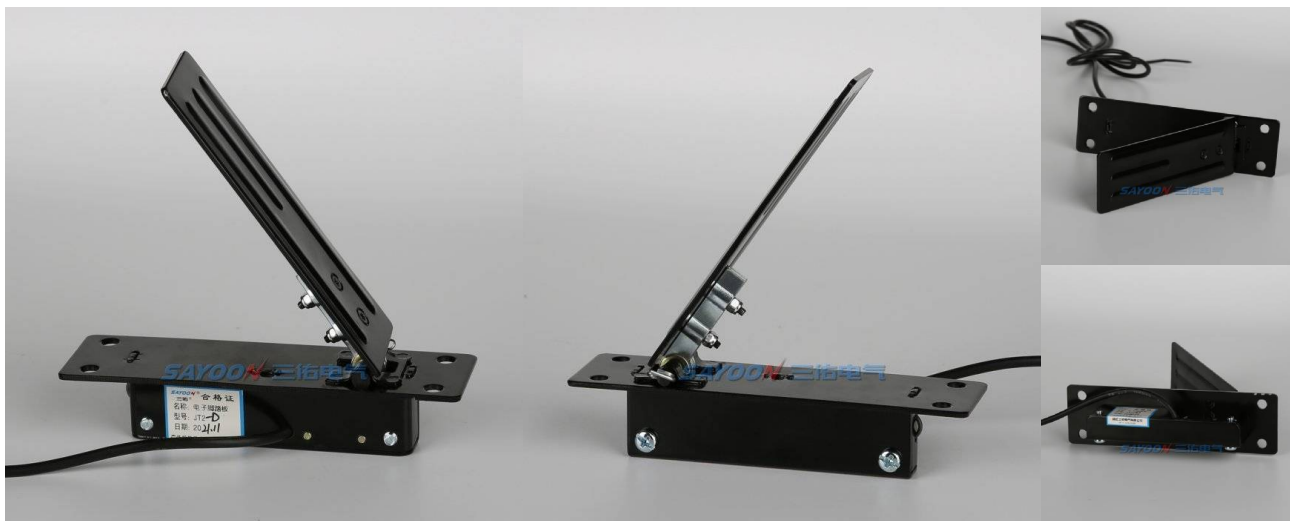


# Switches and Accessories JT2 Foot Throttle



## USES

Foot speed control for electric vehicles, electric tricycles, trucks, recreational vehicles, classic cars, brick cars, solar boats

JT2	D	-□
1	2	3
1	Product type	
2	Plug type D: 2.8 insert (2.8P); A: 6.3 snap spring (6.3H)	
3	Output voltage: 0.8-4.2v; 0-5V	

## USE OF THE ENVIRONMENT

Ambient temperature	-30~+85℃
Relative humidity	+20℃ 98%
the vibration frequency of the	3G, 1 ~ 50Hz 0.5mm amplitude
Altitude	2000m
Installation direction	Random
International protection	IP54

## ORDER INSTRUCTION

U.N.W.	335g
Package QTY.	100 PCS
Meas.(cm)	45*42.5*32

## ORDER FORM DESCRIPTION

Please specify the following information when placing an order: name, complete model, and quantity ordered. For example: JT2-D 0.8-4.2V 100 pieces. Special output voltage specification products can be ordered by users if needed.

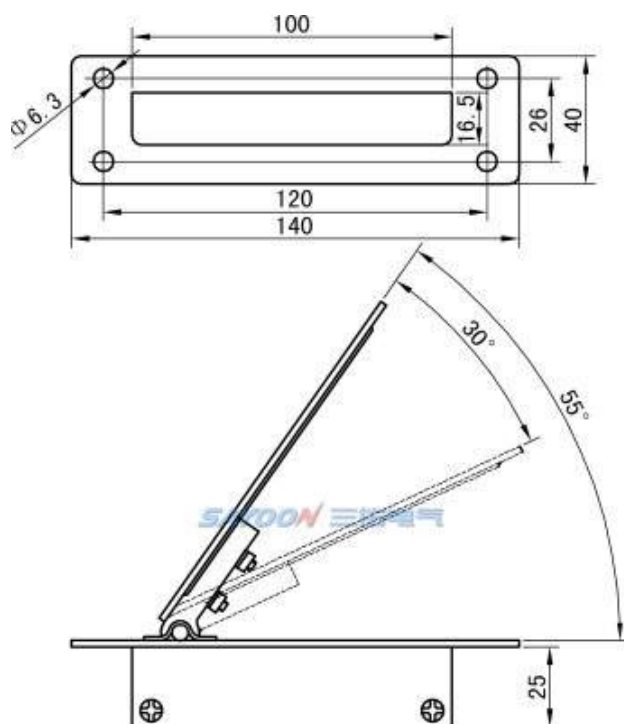
## TECHNICAL PARAMETERS

(Version 1.52)

SAYOON Product Type	JT2
Input voltage	5V
Output	0.8-4.2v;0-5V
Output rated load current	10mA
Output type	Positive control
Wire length	1200 mm
Pedal rotation angle	30 degrees
Installation form	Vertical installation
Testing organization certification	CE

Note: The main components of this product use Hall sensors and strong magnets, and interference caused by environmental electromagnetic waves and temperature should be avoided as much as possible during use. If used as signal sampling, it should be filtered before use. Please refer to the Hall parameters for the tolerance of the product output. If there are any selection issues, please

## INSTALLATION DIAGRAM



## ■ WIRING DIAGRAM

