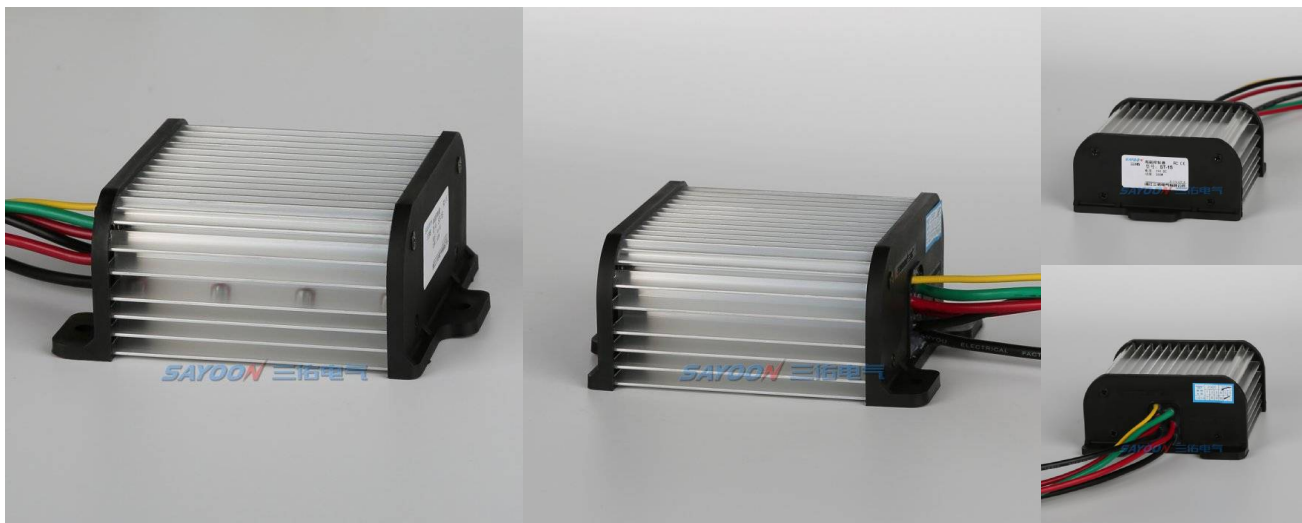


# DC Motor Controller ST-1S Brush DC Motor Controller



## USES

Control of brush motors, series motors, electric tricycle for travel, recreational vehicles, electrical machinery and equipment, floor sweeper, system, ceramic machine, throwing cars, brick car, clean cars, solar boats

<b>ST-1</b>	<b>S</b>	<b>□</b>	<b>-□</b>	<b>-□</b>
1	2	3	4	5

- 1 Product type
- 2 S: Hall accelerator control; D: Potentiometer control
- 3 Rated voltage
- 4 Rated power
- 5 Input plug type A: 6.3 plug; B: 2.8 snap spring

## USE OF THE ENVIRONMENT

Ambient temperature	-30~+85℃
Relative humidity	+20℃ 98%
the vibration frequency of the	3G, 1 ~ 50Hz 0.5mm amplitude
Altitude	2000m
Installation direction	Random
International protection	IP55

## ORDER INSTRUCTION

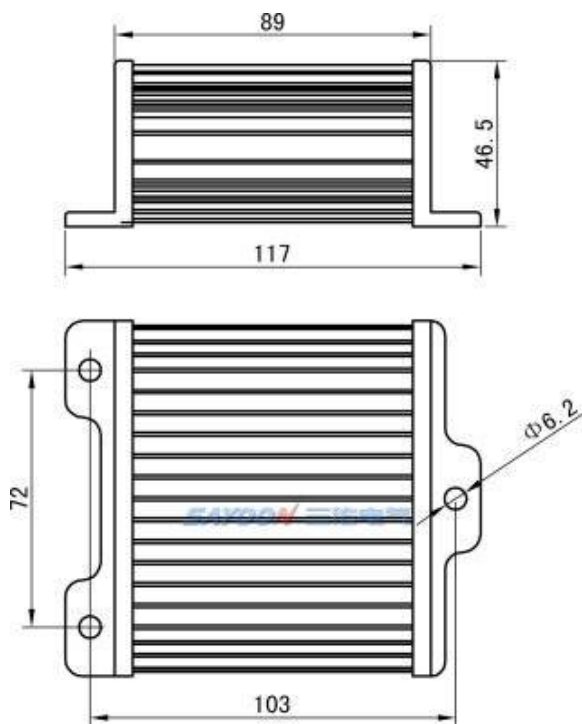
U.N.W.	318g
Package QTY.	50 PCS
Meas.(cm)	60*27.5*29.5

## TECHNICAL PARAMETERS

(Version 1.32)

SAYOON Product Type	ST-1S
Rated power	350W;500W
Rated voltage	12V;24V;36V;48V
Rated current(A)	15A;20A
Throttle signal types	0.8-4.2V; 0-5k
Effective control of voltage range	1.8-3.5V
Rated power loss	≤5W
Throttle interface type	Three-wire 2.8 insert(default)

## INSTALLATION DIAGRAM



## WIRING DIAGRAM

