

Switches and Accessories ZB03N Hand Throttle



USES

Cruise control with hand function for electric vehicles, for electric tricycles, trucks, recreational vehicles, classic cars, brick cars, solar boats

ZB03	N	6.3H	-□
1	2	3	4

- 1 Product type
- 2 N With button
- 3 Plug type 2.8p: 2.8 insert (C, d); 2.8h: 2.8 snap spring; 6.3p: 6.3 insert (P); 6.3h: 63 snap spring (a)
- 4 Output voltage: 0.8-4.2v; 0-5V

USE OF THE ENVIRONMENT

Ambient temperature	-30~+85℃
Relative humidity	+20℃ 98%
the vibration frequency of the	3G, 1 ~ 50Hz 0.5mm amplitude
Altitude	2000m
Installation direction	Random
International protection	IP54

ORDER INSTRUCTION

U.N.W.	324+224g
Package QTY.	80 Pay
Meas.(cm)	50*40*40
G.W.	25kg
N.W.	23kg

ORDER FORM DESCRIPTION

Please specify the following information when placing an order: name, complete model, and quantity ordered. For example: ZB03N-2.8P 100 pieces. Special output voltage specification products can be ordered by users if needed.

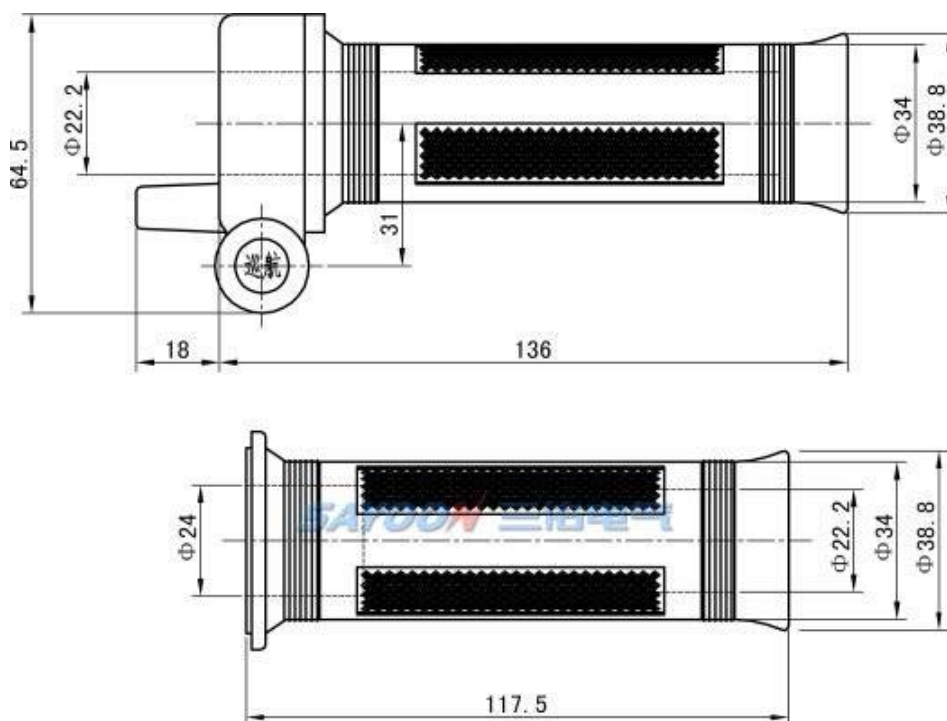
TECHNICAL PARAMETERS

(Version 1.52)

SAYOON Product Type	ZB03N
Input voltage	5V
Output	0.8-4.2v
Output rated load current	10mA
Output type	Positive control
Wire length	2200 mm

Note: The main components of this product use Hall sensors and strong magnets, and interference caused by environmental electromagnetic waves and temperature should be avoided as much as possible during use. If used as signal sampling, it should be filtered before use. Please refer to the Hall parameters for the tolerance of the product output. If there are any selection issues, please

INSTALLATION DIAGRAM



■ WIRING DIAGRAM

